

Features

- ▶ Typical wavelength, 532nm
- ▶ **DPSS Green Laser**
- ▶ **Stabilized optical power with PD feedback(APC)**
- ▶ **Single supply voltage, 12V DC**
- ▶ **Line generator : Powell lens (non-gaussian lens)**
- ▶ Long life time
- ▶ Wire length : 30cm(standard) or custom
- ▶ Laser class : 3R (IEC 60825-1)
- ◆ **Option : Bracket & Power supply.**

Specification

● **Optical**

Optical power(mW)	20 (Tc=25°C)
Power Stability (%)	± 5
Wavelength(nm)	532
Spectral line width(nm)	< 0.1
Collimated Beam Wid.(mm)	< 2 (at 2.5m)
Collimated Beam Div.(mrad)	< 1.2
Axis align Degree (°)	< 1
Fan Angle (°)	30,45,60,90
Beam Quality	TEM00, M ² < 1.2
WarmUp Time (min)	20
Beam intensity Pattern	Non-Gaussian

● **Electrical**

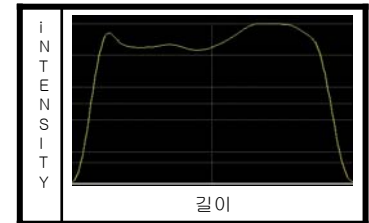
Operating voltage(DC V)	12 ± 5%
Operating current(mA)	200 (Typ.)
Drive circuit	APC
LD Pin Connection	Case Positive
Operating Temp.(°C)	+15 ~ +35

● **Mechanical**

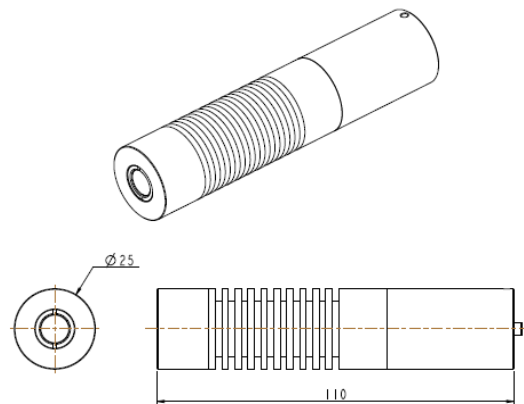
Weight(g)	114 ± 1
Dimensions(mm)	25φ X 110
Operating lifetime(h)	10,000 (@RT)
Housing material	Aluminum

Description

This Green laser emit laser beam of 532nm wavelength using DPSS method. DPSS(Diode pumped solid state) method means that it use high power 808nm LD(laser diode) as pumping energy source and it emit green laser through DPM composed of Nd:YVO4,KTP. Moreover, Because Green laser using DPSS method has singular divergence angle, we must make the collimation beam using collimator. It generates stable output power with external PD(Photo diode) feedback. This series apply to powell lens(non-gaussian lens). 532nm Green beam is more visible and bright to the human eye. so, we can use green laser in the system of measurement, positioning, lighting, alignment, guideline, leveling, machine vision etc.



Drawings



*** Range of fan angle**

Symbol	Angle	Line length [mm] (distance 1m)	
		Perpendicular	Inclined at45°
3D	30°	500	1200
4D	45°	830	2000
6D	60°	1160	3500
9D	90°	2000	About 5000

Lanics Co., Ltd.
Room #703, 7F Woolim e-Biz Center
170-5, Guro-dong, Guro-gu, Seoul, 152-050, Korea
TEL : +82-2-2108-2255 FAX : +82-2-2108-2260
E-mail : support@lanics.com
http:// www.lanics.com